

Adjustable Outdoor / Indoor P.S 520 - 880 VA

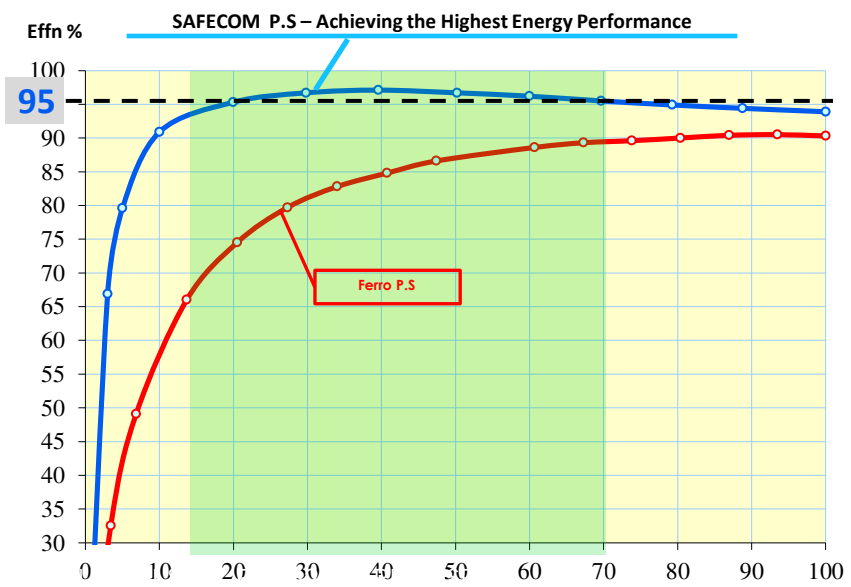
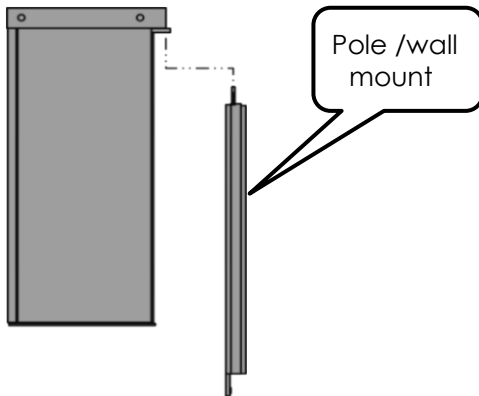
Manually adjustable Max Power option
(five steps) from 500 to 880VA

Safecom presents the latest technology to reduce energy consumption and save electrical bills in CATV Networks while attaining Energy 2020 targets. The new compact adjustable Spec P.S model is a CATV P.S with the highest efficiency and most cost-effective capabilities developed for average current consumption needs such as Optical & Deep Fiber HFC networks.

In addition, manually adjustable Max Power option (five steps) from 520 to 880VA offers an option for adjusting the maximum power manually as well as allows the operator to pay flat rate for the real energy consumed instead of paying for the Power Supply rated power.

Power Supplies are designed for a lifetime of operation while producing actual energy savings of between 5-15% compared to common Ferro P.S.

Zero Crossing stabilizer technology
US & EP Patent



- ✓ Lower Operating Cost
- ✓ No Noise, No Vibration
- ✓ Slow Start
- ✓ Electronic Overload Protection
- ✓ shelf- lain or wall mount
- ✓ No RF noise
- ✓ Surge immunity / ANSI/SCTE81 2012
- ✓ Surge immunity / EN1000-4-5
- ✓ Testing Point Vout
- ✓ Testing Point Iout
- ✓ Optional SPD 140KA
- ✓ 3 years extended warranty

Manually adjustable Max Power option (five steps) from 500 to 870VA

DIP Switch Position			Current Limit 63V
1	2	3	
OFF	OFF	OFF	8A
OFF	OFF	ON	9.5A
OFF	ON	OFF	11A
ON	OFF	OFF	12.5A
ON	ON	ON	14A

Adjusting the maximum power manually allows the operator to pay flat rate for the real energy consumed instead of paying for the Power Supply rated power.

Compact CATV Stabilized Power Supply Specification

Model	SC-MTFPS-520-870-90UO	SC-MTFPS-500-880-60EI
	Electrical	
Input Voltage range (Vac)	102Vac-132Vac	195-255Vac
Input Frequency (Hz)	50/60 Hz	
Input Current (A) Adjustable	2.15 A < I _{max} < 7.3A (@120V)	1.1A < I _{max} < 2.2A (@230Vac)
Input inrush current	<5In single pulse of 5ms	
Input Power Factor	> 0.98 (range 10-100% load)	
Output Voltage Taps (Vac)	88Vac +/- 2%	63Vac +/- 2%
Output Current (A) Adjustable	6A < I _{max} < 10A	8A < I _{max} < 14A
Short circuit time response (ms)	<10	
Recovery time delay (sec)	>2	
Output Power (VA)	870	
Load Regulation (%)	<1%	
Electronic Output Protection		
Efficiency (%)	> 93% (load 10-25%)	
	> 96% (load 25-75%)	
	> 95% (load 75-90%)	
	> 93% (load 90-100%)	
	Mechanical	
Dimensions (L , W , H) inch /mm	12.9,7.8,5.7 inch/ 328,199,145 mm	
Weight (Kg/lbs)	12.9 kg / 28.43L	
Housing Finish	Corrosion protected + Epoxy coating	
	Environment	
Operating Temperature	-20°C ÷ +60°C	
Storage Temperature	-20°C ÷ +70°C	
OUTDOOR - Humidity	0 ÷ 100% non condensing	
	Standard Features	
Power Mains Cable	√	
Mains Transients Protection	√	
Output Coax socket	√	
Power Indication Green /Red LED	√	
Surge immunity20		
EN61000-4-5	2.0kV (1.2/50µs, 2Ω). L →N and L,N →PE √	
ANSI\SCTE 81 2012	6KV 10/700µSec √	